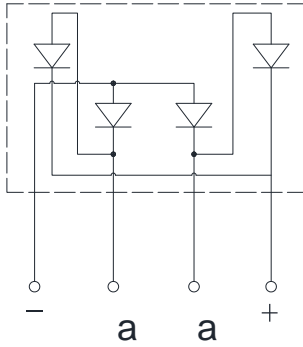
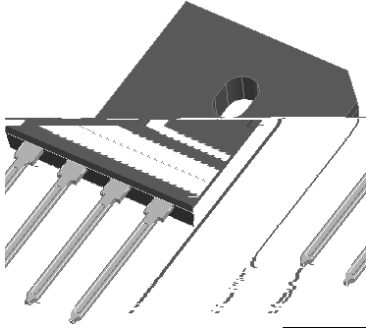




* % 8 \$ 7 + 5 8 * % 8 \$

RoHS
COMPLIANT

% ULGJH 5HFWLILHUV



)HDWXUHV
 " 8/ UHFRJQLWLRQ ILOH (
 " *ODVV SDVVLYDWHG FKLS MXQFWLRQ
 " ,GHDO IRU SULQWHG FLUFXLW ERDUGV
 " +LJK VXUJH FXUUHQW FDSDELWLW\
 " 6ROGHU GLS y & PHUJ -(6' %

7\SLFDO \$SSOLFDFWLRQV
 *HQHUDO SXUSR\H XJH LQ \$Q ZD EHW HFWLIL
 PRQLWRU 79 SULQWHU SRZHU VXSSO\ VZL
 DGDSWHU \$XPHQWHDXLG K&PHVDS\$SSOLFDFWLR

0HFKDQLFDO 'DWD
 " 3DFNDJH%8
 0ROGLQJ FRPSR\QG PHH\WPPDELWLW\
 UDWLQJ 5R+6 FRPSOLDQW
 " 7HUPLQDOV SODWHG OHDGV VROGHUDEOH S
 - 67' DQG -(6' %
 " 3RO @ V\$EY%\$H ó\$CRH 'Nó \$CRH"ti\$V\$S,'NóFCRH 'Nó! CRH 'I

0D[LPXP 506 9ROWDJH	9506	9							
0D[LPXP '& EORFNLQJ 9ROWDJH9'&		9							
\$YHUDJH UHFWLILH 7 FRXWSXW FXUUHQW # +] VLQH ZDYH 5. LQWDOXW KHDWVLQN 7D -	:LWK KHDWVLQN 7 FRXWSXW FXUUHQW 5. LQWDOXW KHDWVLQN 7D -								
)RUZDUG 6XUJH &XUUHQW 1RQ UHSHWLWLYH # +] +DOI VLQH ZDYH - F\FOH 7M)RUZDUG 6XUJH &XUUHQW 1RQ UHSHWLWLYH # PV VTXDUH ZDYH - F\FOH 7M								
&XUUHQW VTXDUHG WLPH # PV"W" PV 7M5DWLQJ RI SHU GLRGH \$6									
6WRUDJH WHPSHUDWXUH	7VWJ -							a	
-XQFWLRQ WHPSHUDWXUH	7M -							a	
'LHOHFWULF VWUHQJWK # 7HUPLQDOV WR FDVH \$&	96LV PLQXWH 9								
0RXQWLQJ WRUTXH #5HFRPPHQG QVWUTXH	7RU	NJ	FP						



* % 8 \$ 7 + 5 8 * % 8 \$

v(OHFWULFDO &KDUDFWH&QDHWLFRWKHUÄLVH VSHFLILHG

3\$5\$0(7(5	6<0%2	81,7	7(67 & 21',7,2	*%8	*%8	*%8	*%8	*%8	*%8	*%8	\$
0D[LPXP LQVWDQW	DQHRXV	IRUZDUG YROWDJH	GURS SHU GLRGH \$								
0D[LPXP '& UHYHUVH	FXUUHQW D 7M -	UDWHG '& EORFNLOJ	YROWDJH SHU GLRGH								
7\SLFDO MXQFWLRQ	FDSDFLW	0HDVXUHG DW 0+]	DQG \$SSOLHG 5HYSHUVH								

v7KHUPDO &KDUDFWH&QDHWLFRWKHUÄLVH VSHFLILHG

3\$5\$0(7(5	6<0%2	81,	*%8	*%8	*%8	*%8	*%8	*%8	*%8	*%8	\$
7KHUPDO	%HWZHHQ MXQFWLRQ	DQG DPELHQW									
5HVLVW	DQHWZHHQ MXQFWLRQ	DQG FDVH									

1RWH 'HYLFRRRQ & HWG PP [\$PXPLQXP 30DWN +HDW

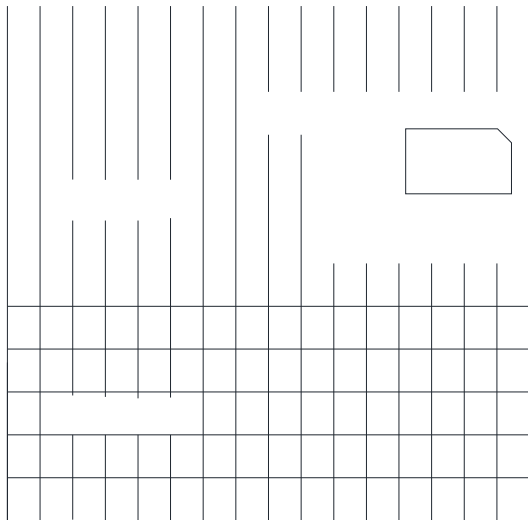
v2UGHULQJ ,QIRUDD&QRQ

35()(5(' 3 1	3\$&.,1* & 2' (81,7 : (, * +7	0,1,,080	,11(5 %2;	287(5 & \$572	'(/,9(5<
*%8	\$ 7+58 *%8	\$ %	\$SSUR[LPDWH			

789

v &KDUDFWH&LSLWDFOV

),* ,R 7F &XUYH



* % 8 \$ 7 + 5 8 * % 8 \$

